

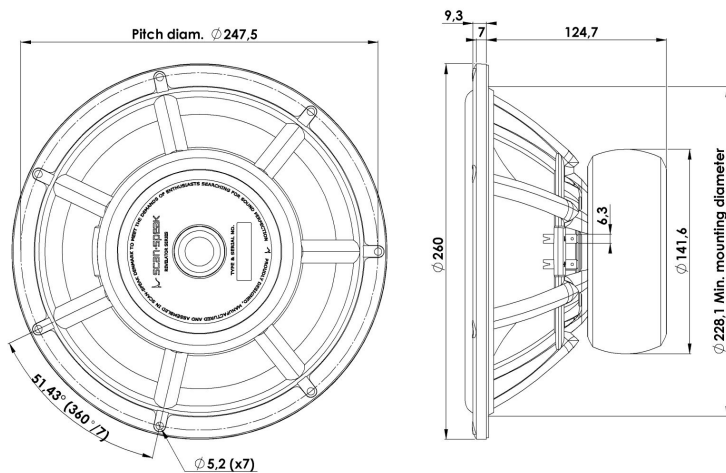


REVELATOR

WOOFER

26W/4867T00

The Revelator woofers and subwoofers features very rigid cones in paper or aluminium that operates as a piston over a wide frequency range, in combination with Scan-Speaks low-loss linear suspension and the patented Symmetrical Drive (SD-1) it results in very low distortion and a smooth and well behaved frequency response as well as perfect transient reproduction.



KEY FEATURES:

- Patented Symmetrical Drive Motor Design
- Low-Loss linear suspension
- Die cast Alu Chassis vented below spider
- Rigid Black Anodized Alu Cone
- Low Damping SBR Rubber Surround
- Ferrite Magnet System w. Rubber Boot

T-S Parameters

Resonance frequency [fs]	18 Hz
Mechanical Q factor [Qms]	5.80
Electrical Q factor [Qes]	0.31
Total Q factor [Qts]	0.29
Force factor [Bl]	8.3 Tm
Mechanical resistance [Rms]	0.99 kg/s
Moving mass [Mms]	51 g
Compliance [Cms]	1.53 mm/N
Effective diaph. diameter [D]	202 mm
Effective piston area [Sd]	320 cm ²
Equivalent volume [Vas]	220 l
Sensitivity (2.83V/1m)	89 dB
Ratio Bl/√Re	4.31 N/√W
Ratio fs/Qts	61 Hz

Notes:

IEC specs. refer to IEC 60268-5 third edition.
All Scan-Speak products are RoHS compliant.
Data are subject to change without notice.
Datasheet updated: April 23, 2014.

Electrical Data

Nominal impedance [Zn]	4 Ω
Minimum impedance [Zmin]	4.4 Ω
Maximum impedance [Zo]	72.9 Ω
DC resistance [Re]	3.7 Ω
Voice coil inductance [Le]	0.25 mH

Power Handling

100h RMS noise test (IEC 17.1)	80 W
Long-term max power (IEC 17.3)	200 W

Voice Coil & Magnet Data

Voice coil diameter	50 mm
Voice coil height	24 mm
Voice coil layers	2
Height of gap	6 mm
Linear excursion	± 9 mm
Max mech. excursion	± 14 mm
Unit weight	3.7 kg

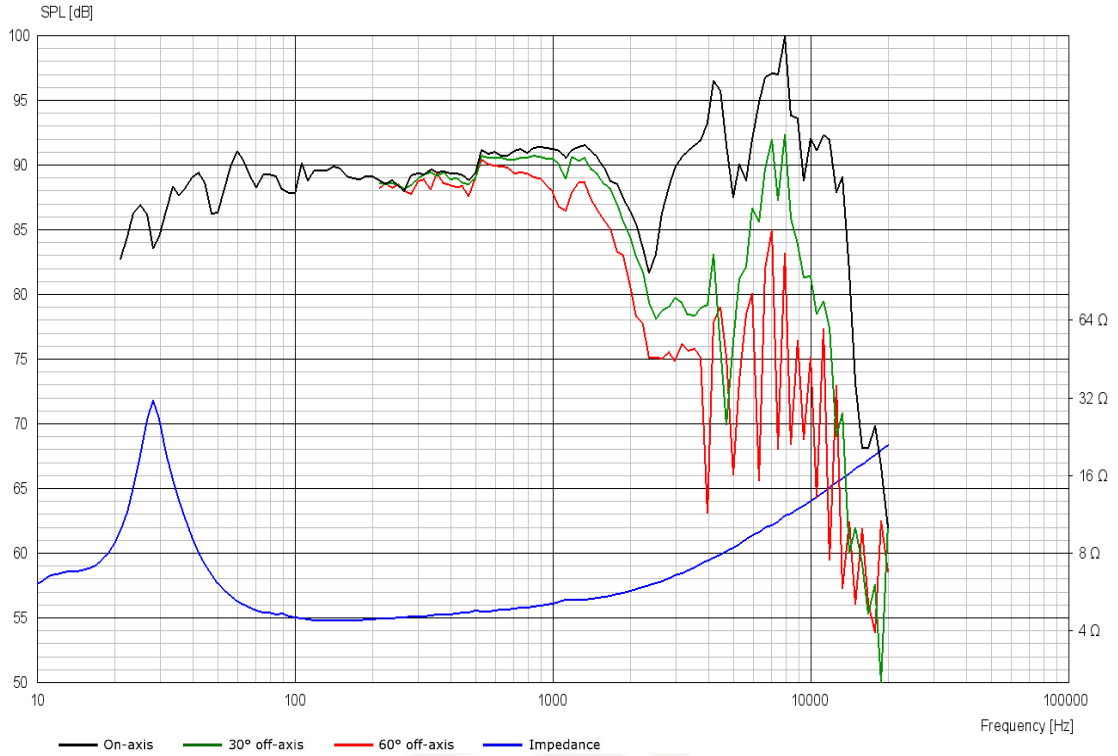




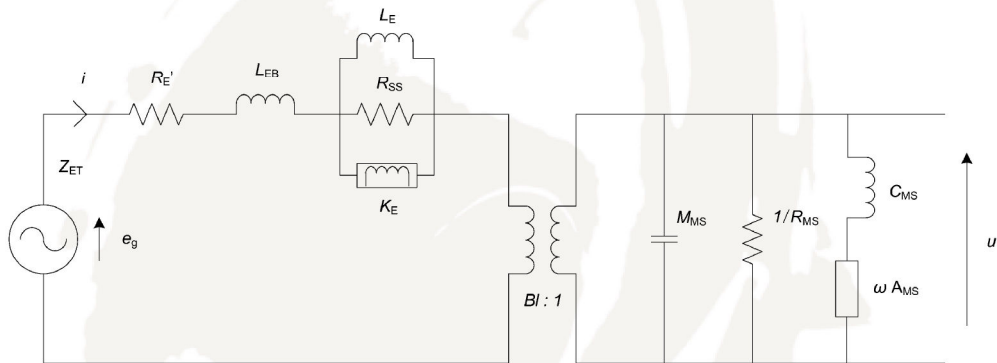
REVELATOR

WOOFER

26W/4867T00



Advanced Parameters (Preliminary)



Electrical data

Resistance [$R_{E'}$]	3.64 Ω
Free inductance [L_{EB}]	0.130 mH
Bound inductance [L_E]	9.00 mH
Semi-inductance [K_E]	0.0191 SH
Shunt resistance [R_{SS}]	19.5 Ω

Mechanical Data

Force Factor [BI]	7.50 Tm
Moving mass [M_{MS}]	53.3 g
Compliance [C_{MS}]	1.27 mm/N
Mechanical resistance [R_{MS}]	1.19 kg/s
Admittance [A_{MS}]	0.176 mm/N

